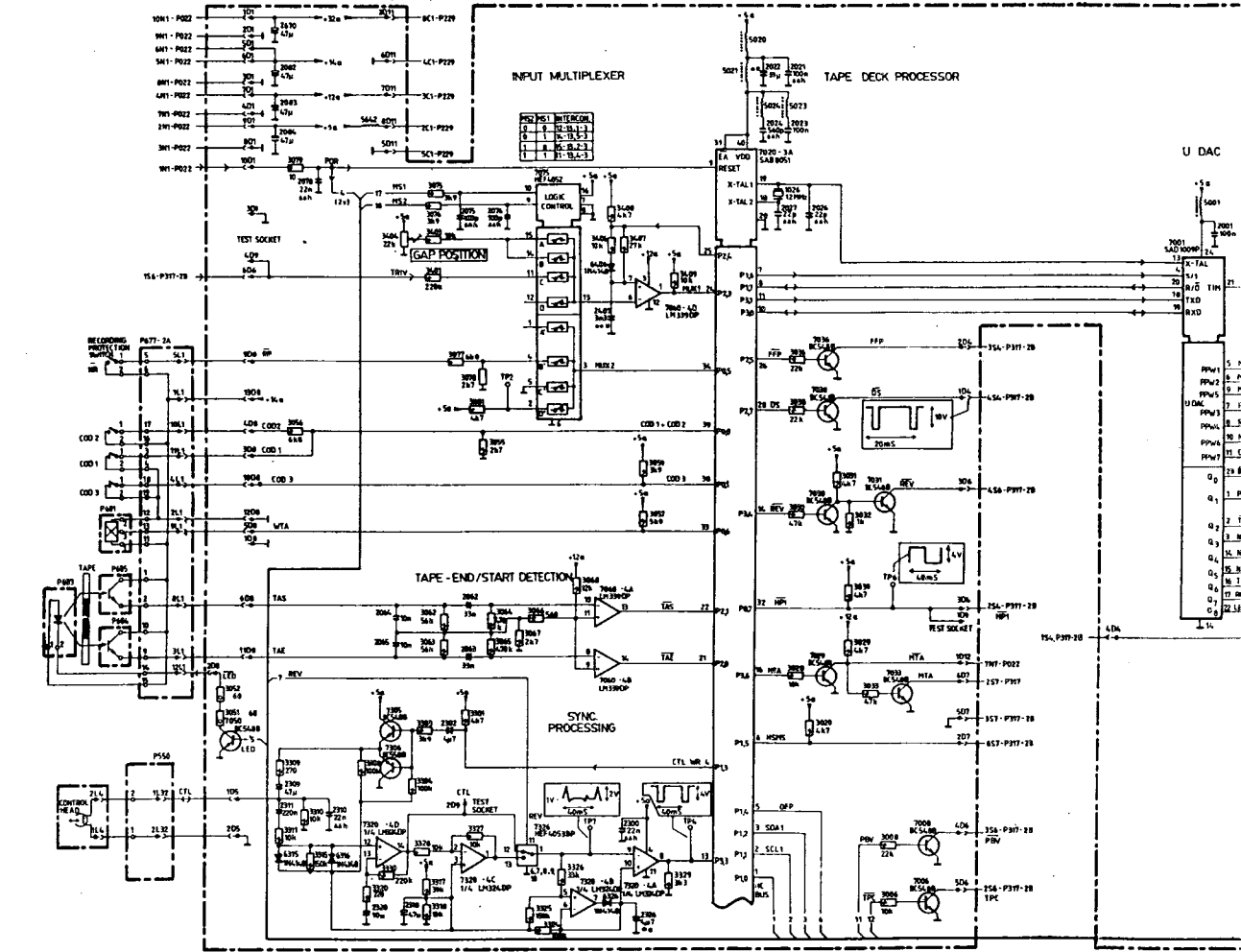
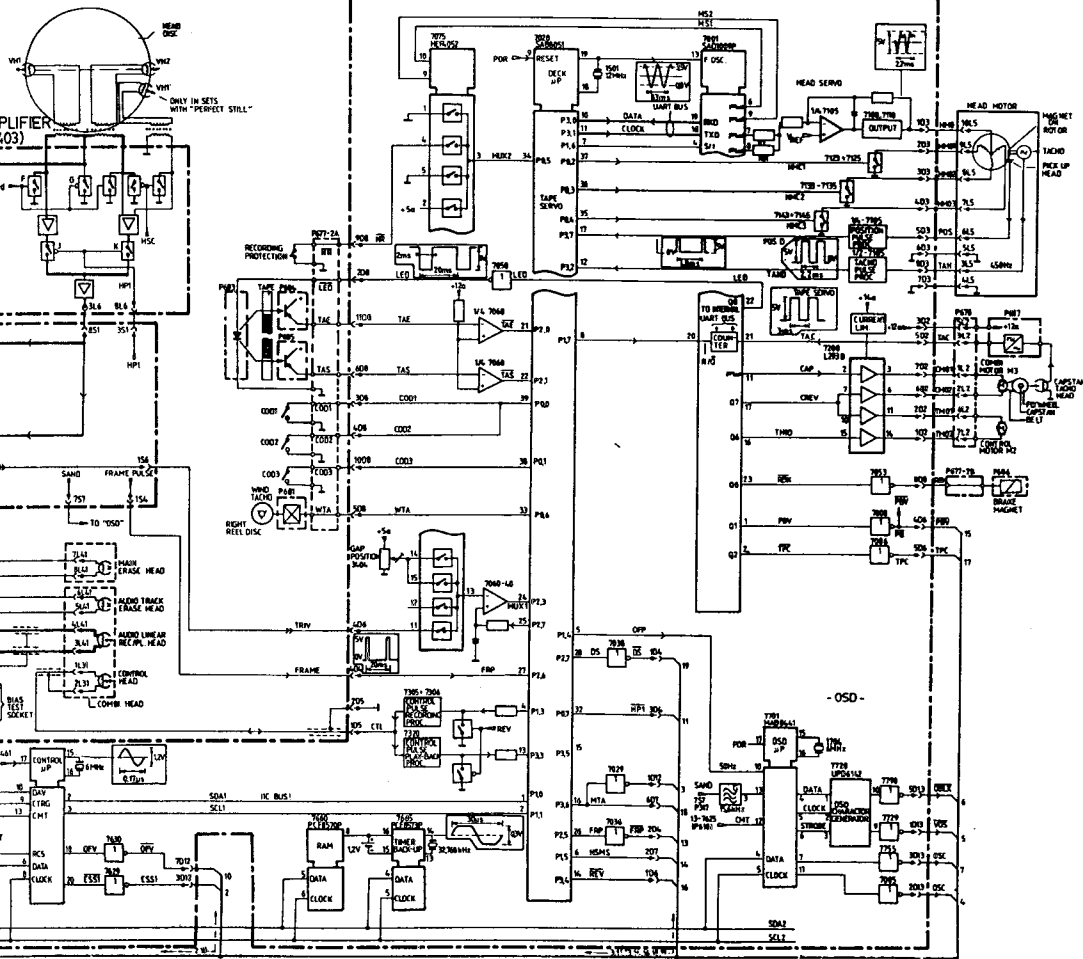


P186.1 101

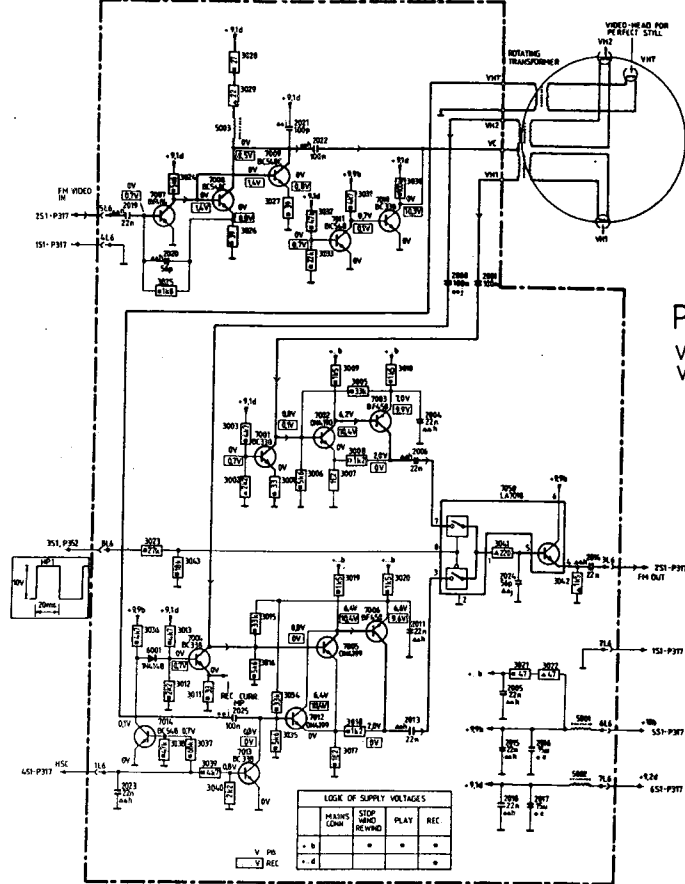
DECK ELECTRONIC P618 (P620)



DECK ELECTRONIC P618 (P620)



HEAD AMPLIFIER P404 (P403)



PHILIPS
VR670/01R/02R/06R
VR6670/01R/02R/06R

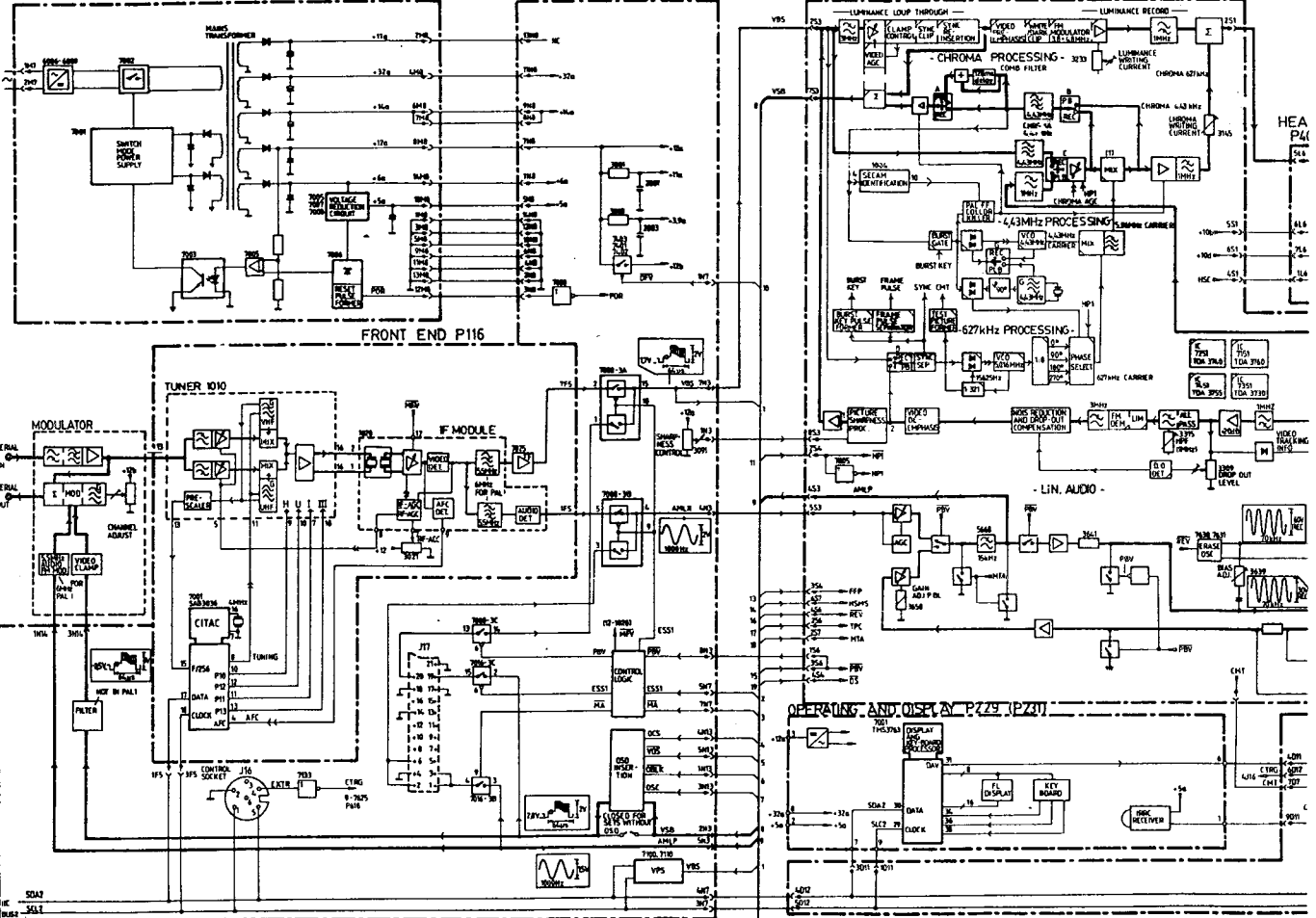


MODE OF SUPPLY VOLTAGES		PLAY	REC
MAIN'S ON	STOP VIDEO REWIND	.	.
.	.	.	.
.	.	.	.

SUPPLY P015

INPUT/OUTPUT INTERFACE P022 (P026)

SIGNAL PAL-SECAM P317



SUPPLY P015

